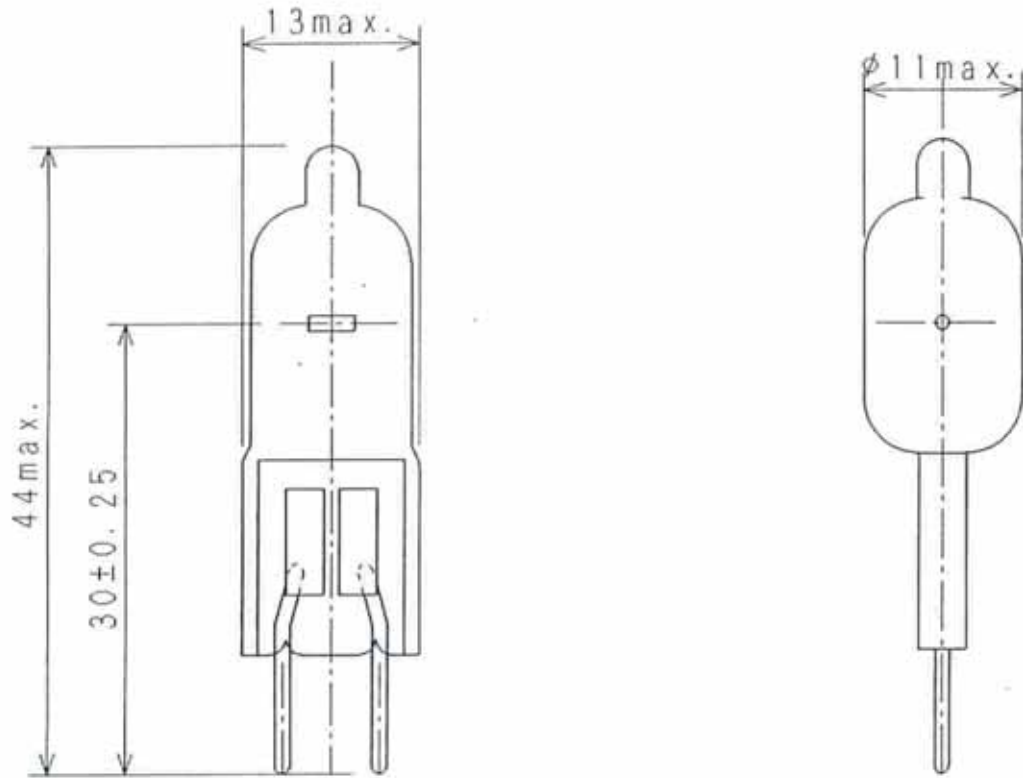


<input type="radio"/> SINGLE ENDED	HALOGEN LAMP	APPLICATION
<input type="radio"/> DOUBLE ENDED		<input type="checkbox"/> GENERAL LIGHTING
<input type="radio"/> REFLECTOR		<input type="radio"/> PROJECTOR
	JC12V30W10H/G1	<input type="checkbox"/> THE OTHERS

ANSI CODE	NOT APPLICABLE
BASE	G 6 - 3 5
FILAMENT	C - 6
FUSE	UNFURNISHED
BURN. POS.	A N Y



Permissible maximum pinch temperature: 350°C

INITIAL CHARACTERISTICS and LIFE

RTD. VOLTS	V	12	COLOR TEMP.	K	3000
RTD. WATTS	W	30	RTD. LIFE	Hrs.	1000
LUMINOUS FLUX	lm	570			
EFFICACY	lm/W	19			

APPROVED	CHECKED	DRAWING	DRAW. NO.	UNIT	SCALE
<i>D. G. G. G.</i>	<i>E. M. M. M.</i>	<i>J. S. S. S.</i>	05001E	mm	2/1
AMENDMENT	0	1	2	3	PRODUCT CODE
DATE	SEP. 3. '93				
REMARKS	ISSUE				JC1301